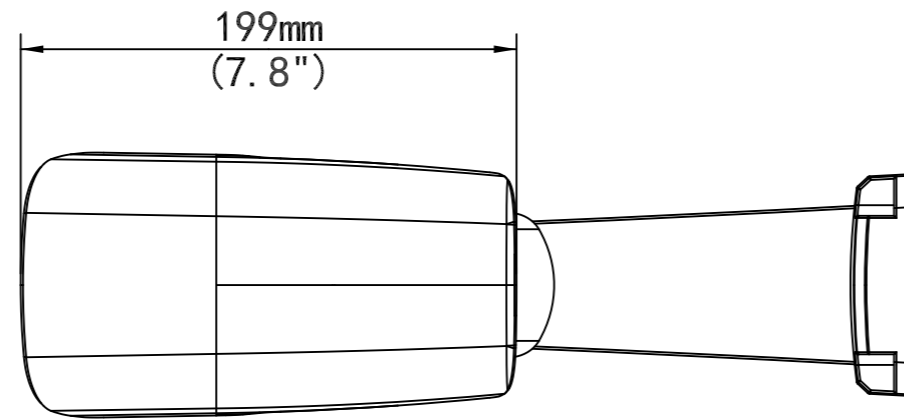
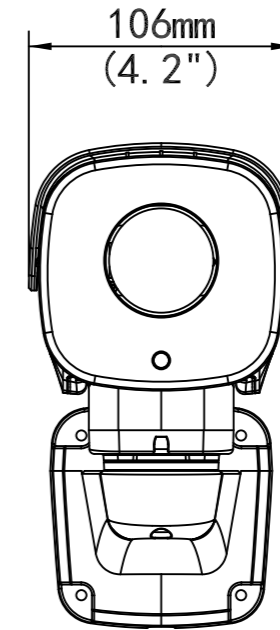
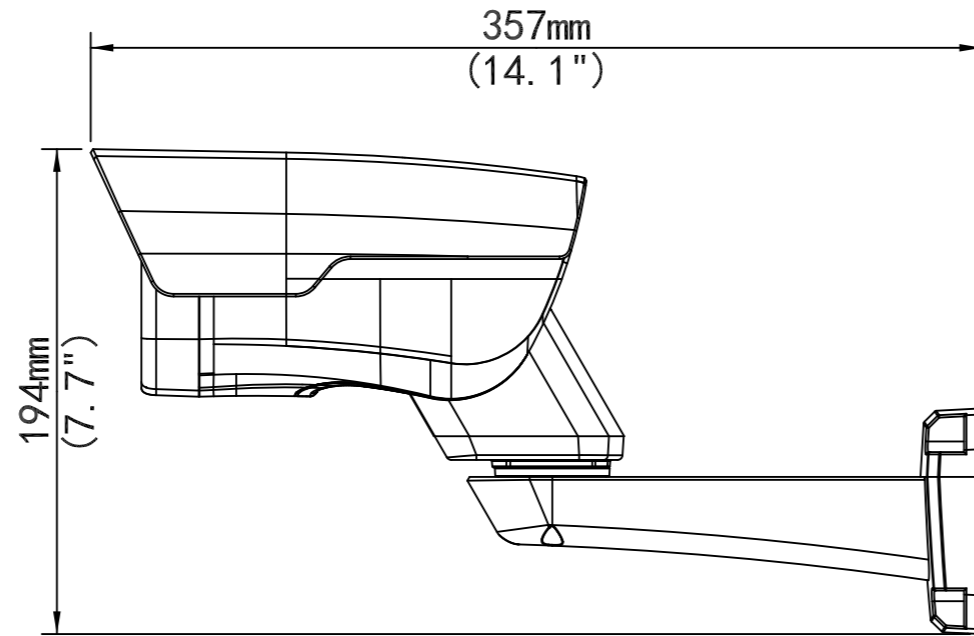
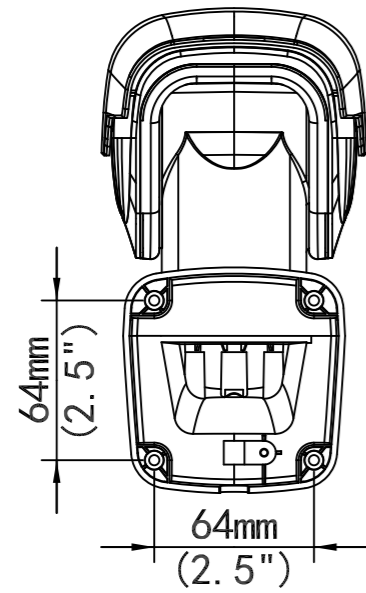


| REV | ECO NO. | DESCRIPTION |
|-----|---------|-------------|
| | | |
| | | |



| | | | |
|----------|--------|-----------|-----------|
| | | TITLE: | |
| DRAW: | DATE: | UNIT'S: | DWG NO.: |
| CHKD: | DATE: | FINISH: | PART NO.: |
| STAD: | DATE: | MASS(Kg): | |
| APPD: | DATE: | SCALE: | REV |
| PRODUCT: | SHEET: | OF | MAT'L: |