

FOLD

FOLD

1 2 3 4 5 6 7 8

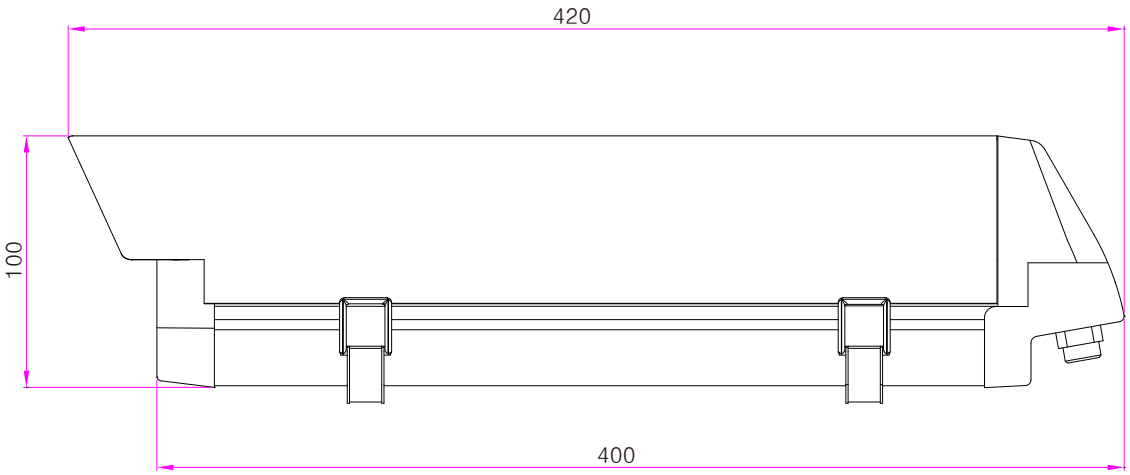
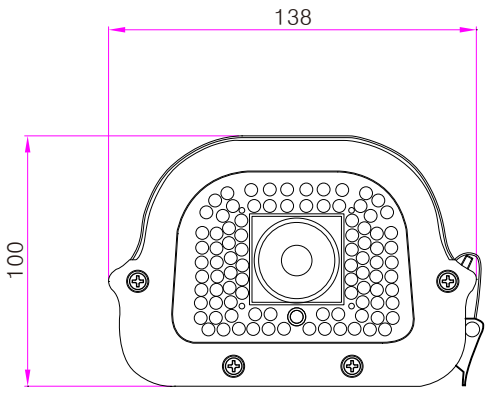
A A

B B

C C

D D

E E



1 2 3 4 5 6 7 8