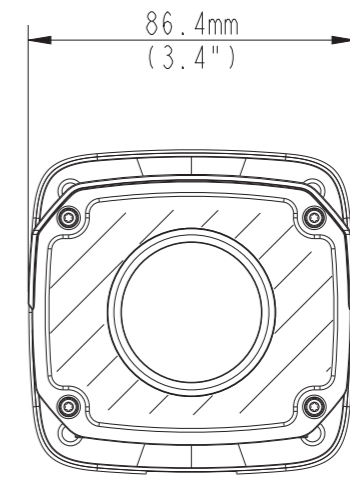
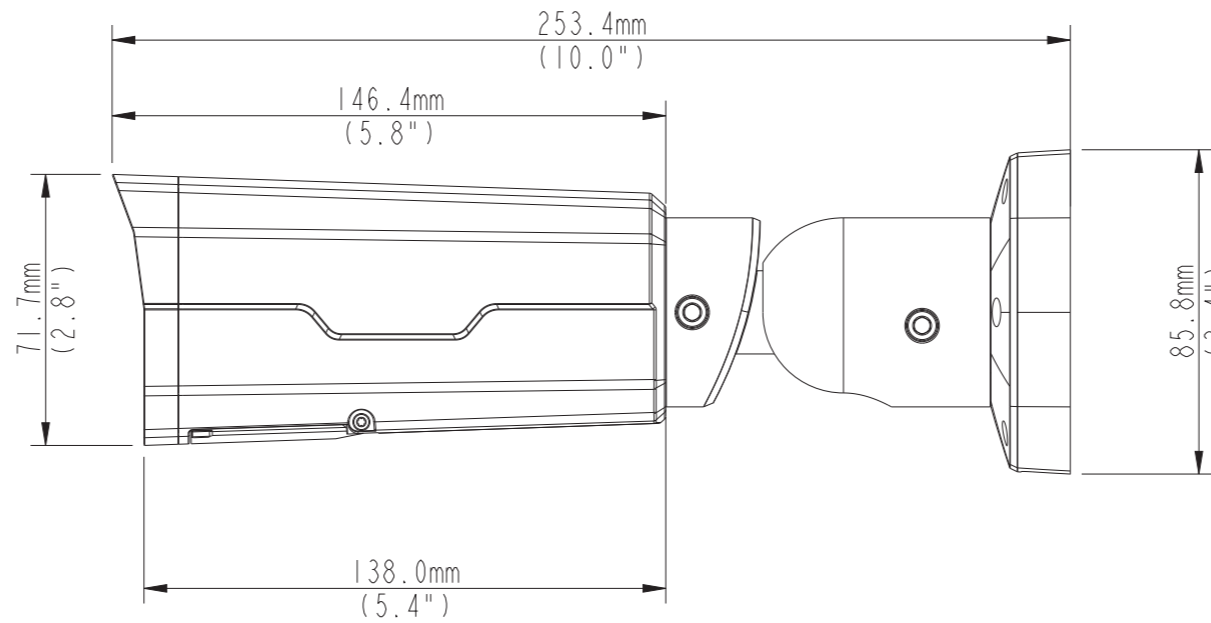
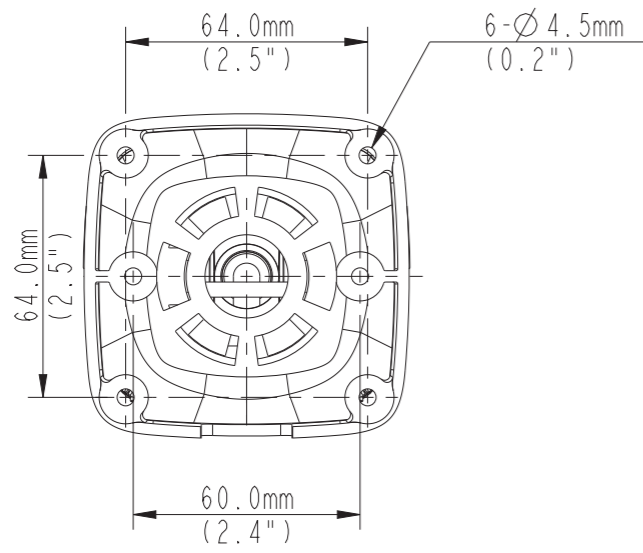
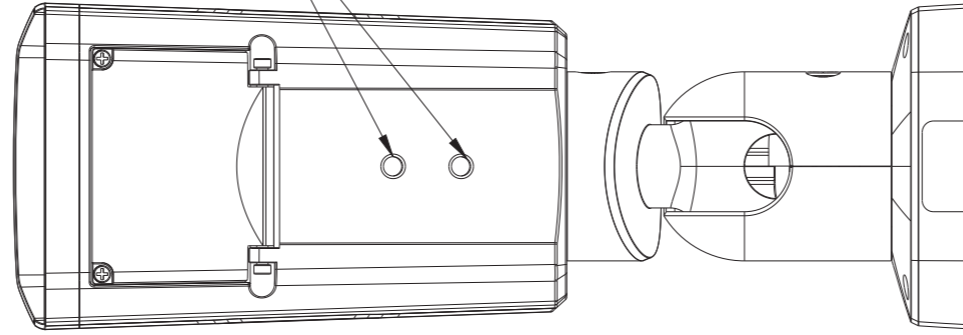


| REV | ECO NO. | DESCRIPTION |
|-----|---------|-------------|
|     |         |             |
|     |         |             |

2-1/4-20UNC



|          |               |                 |           |
|----------|---------------|-----------------|-----------|
|          |               | TITLE:          |           |
| DRAW:    | DATE:         | UNIT'S: MM/INCH | DWG NO.:  |
| CHKD:    | DATE:         | FINISH: A000    | PART NO.: |
| STAD:    | DATE:         | MASS(Kg):       |           |
| APPD:    | DATE:         | SCALE: 1:2      | REV       |
| PRODUCT: | SHEET: 1 OF 1 | MAT'L:          |           |