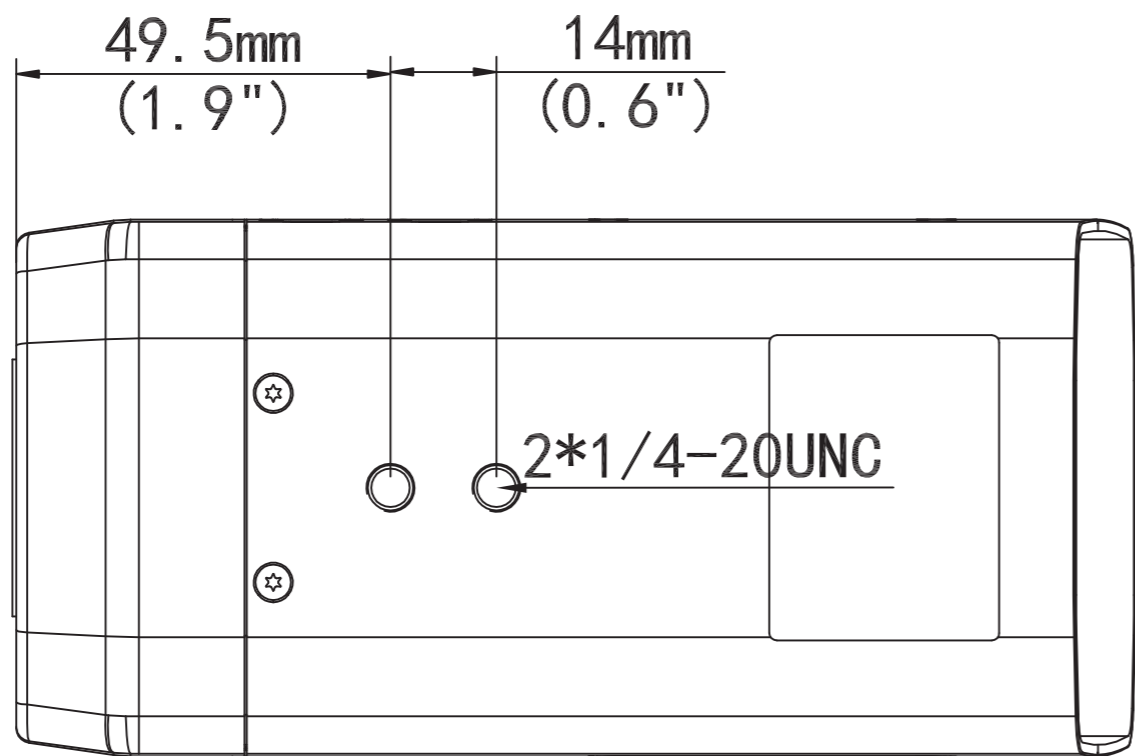
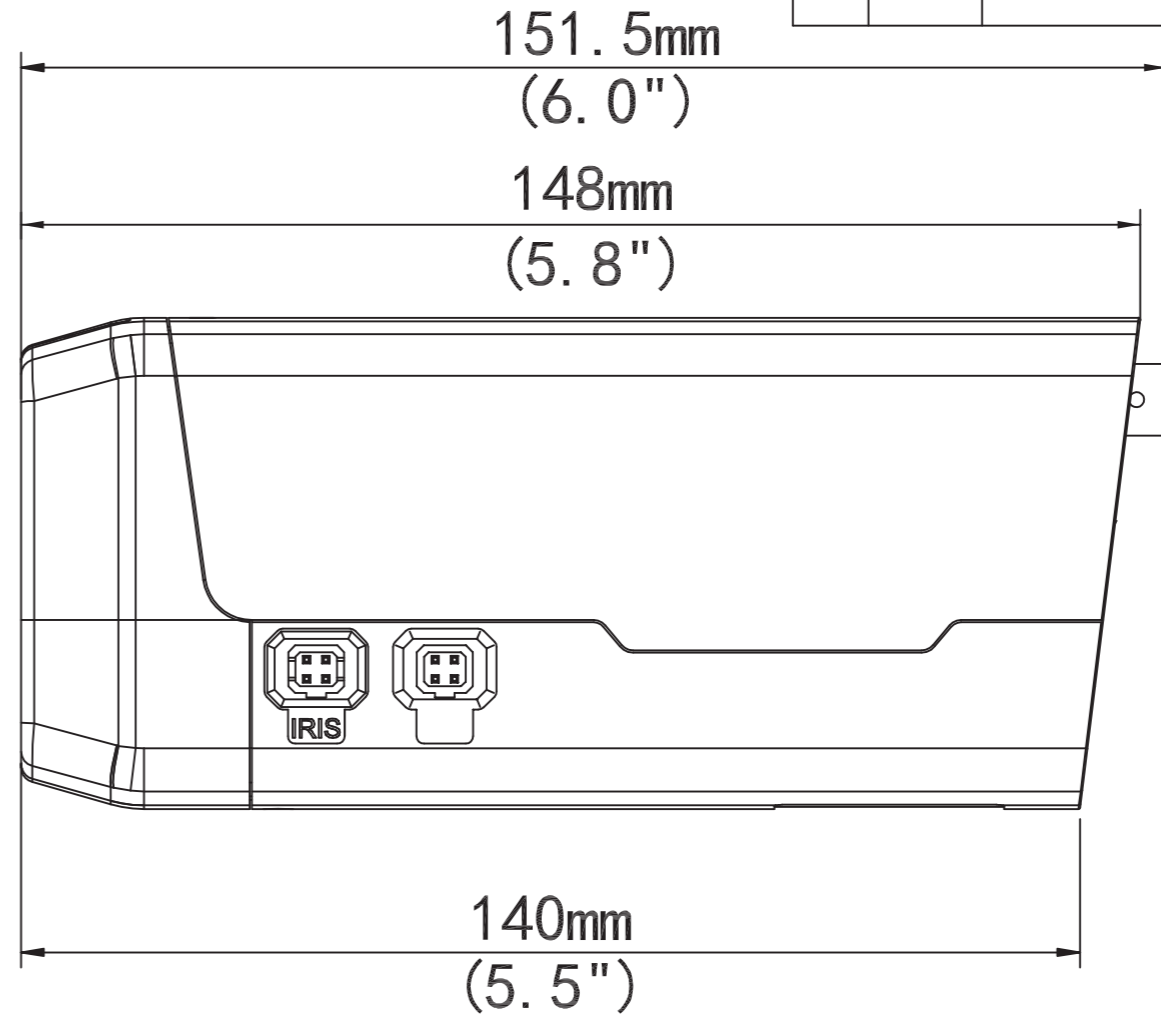
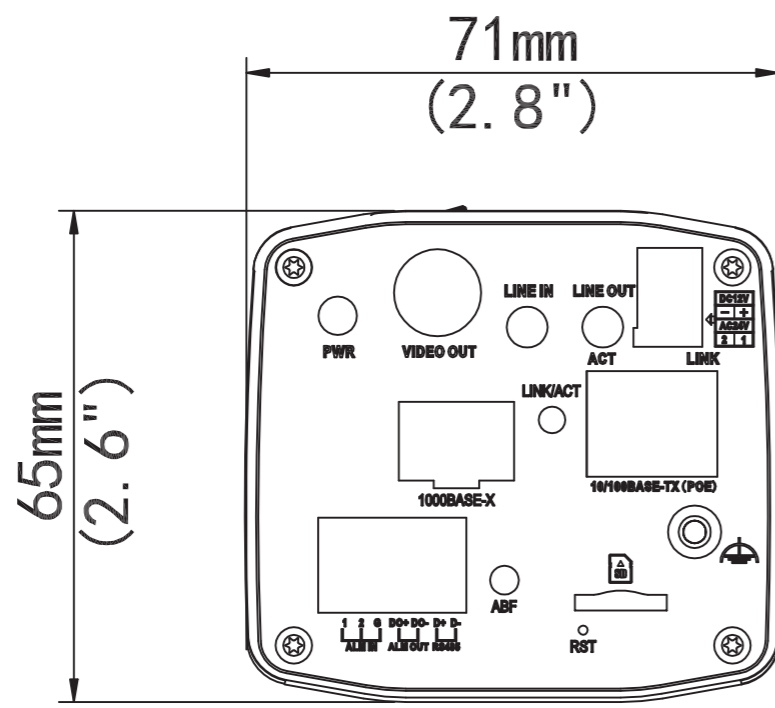


REV	ECO NO.	DESCRIPTION



± 0.2	± 0.10	± 0.5	± 0.050		TITLE:
DRAW:	DATE: 201-28-00	UNIT'S: MM	DWG NO.:		
CHKD:	DATE: 201-28-00	FINISH: A000	PART NO.:		
STAD:	DATE: 201-28-00	MASS(Kg): 0.000	REV		
APPD:	DATE: 201-28-00	SCALE: 1:2	A0		
PRODUCT:	SHEET: 1 OF 1	MAT'L:	See Notes		