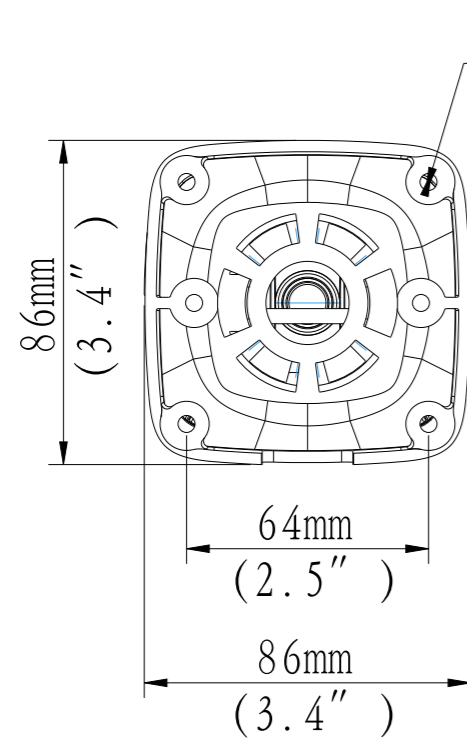
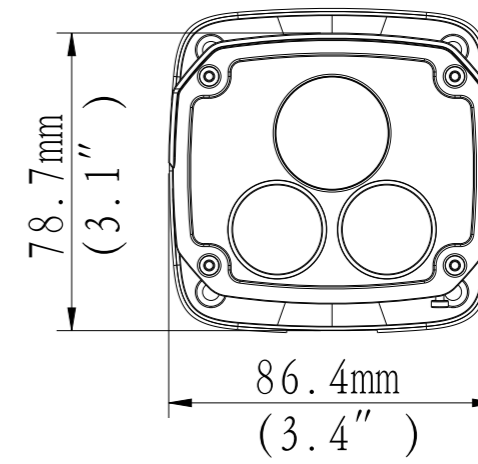
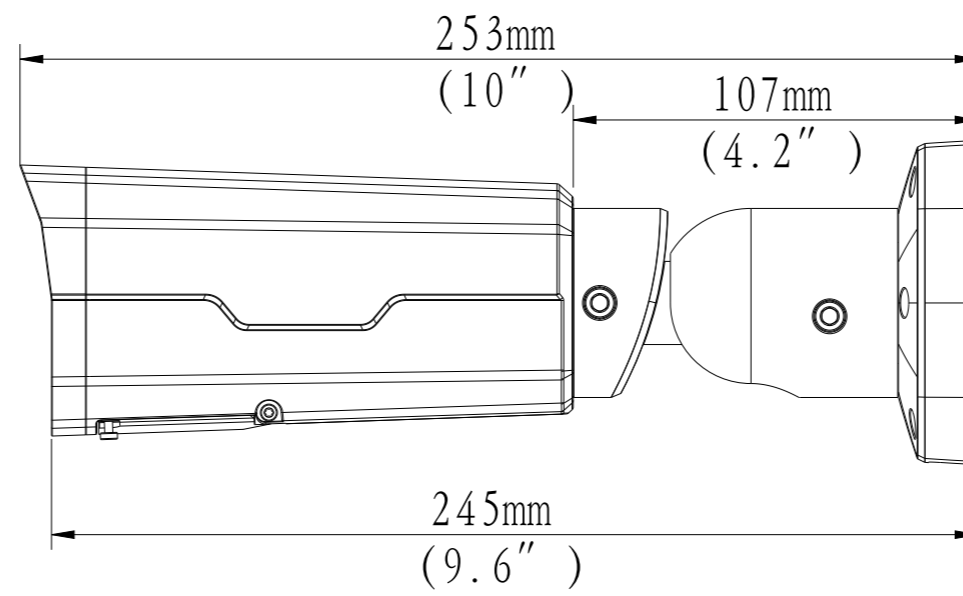


REV	ECO NO.	DESCRIPTION



6- \varnothing 4.5 mm
(0.2")



		TITLE:	
DRAW:	DATE:	UNIT'S: MM	DWG NO. :
CHKD:	DATE:	FINISH:	PART NO. :
STAD:	DATE:	MASS(Kg):	
APPD:	DATE:	SCALE: 1:2	REV 0
PRODUCT:	SHEET: 1 OF 1	MAT'L: Material	