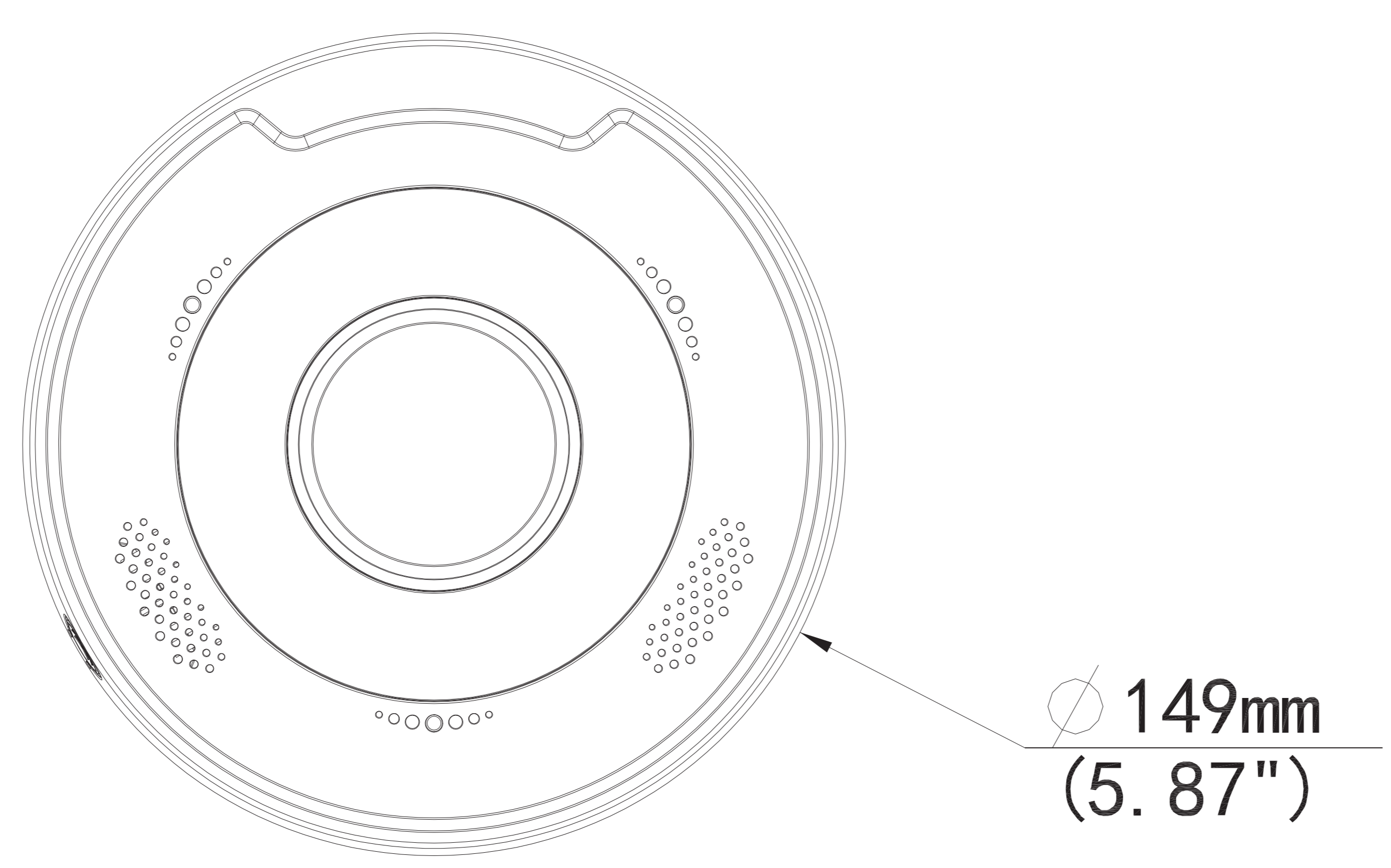
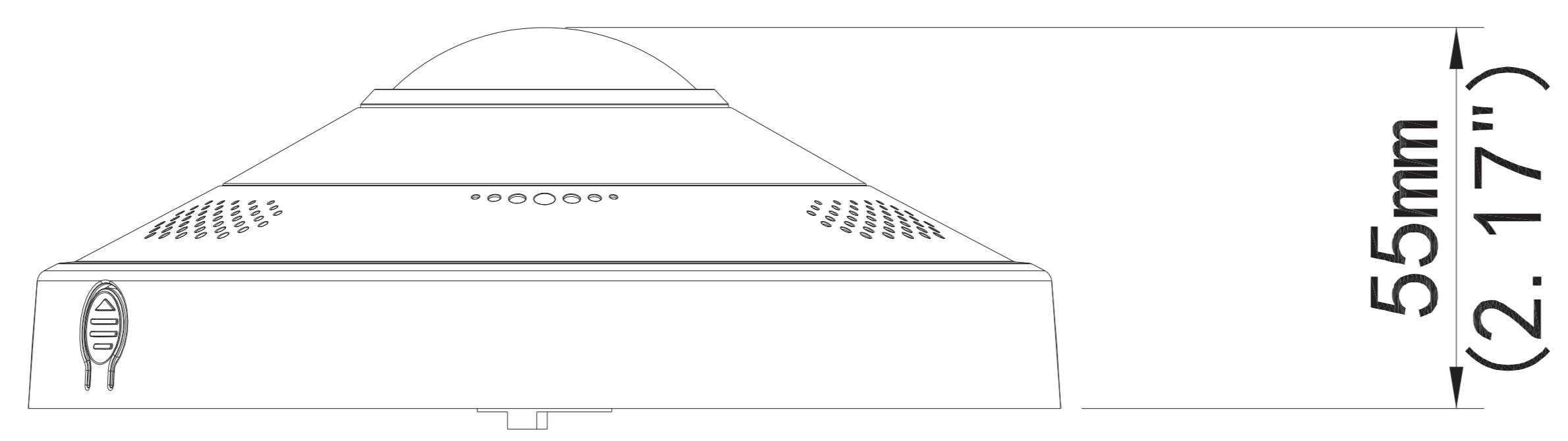
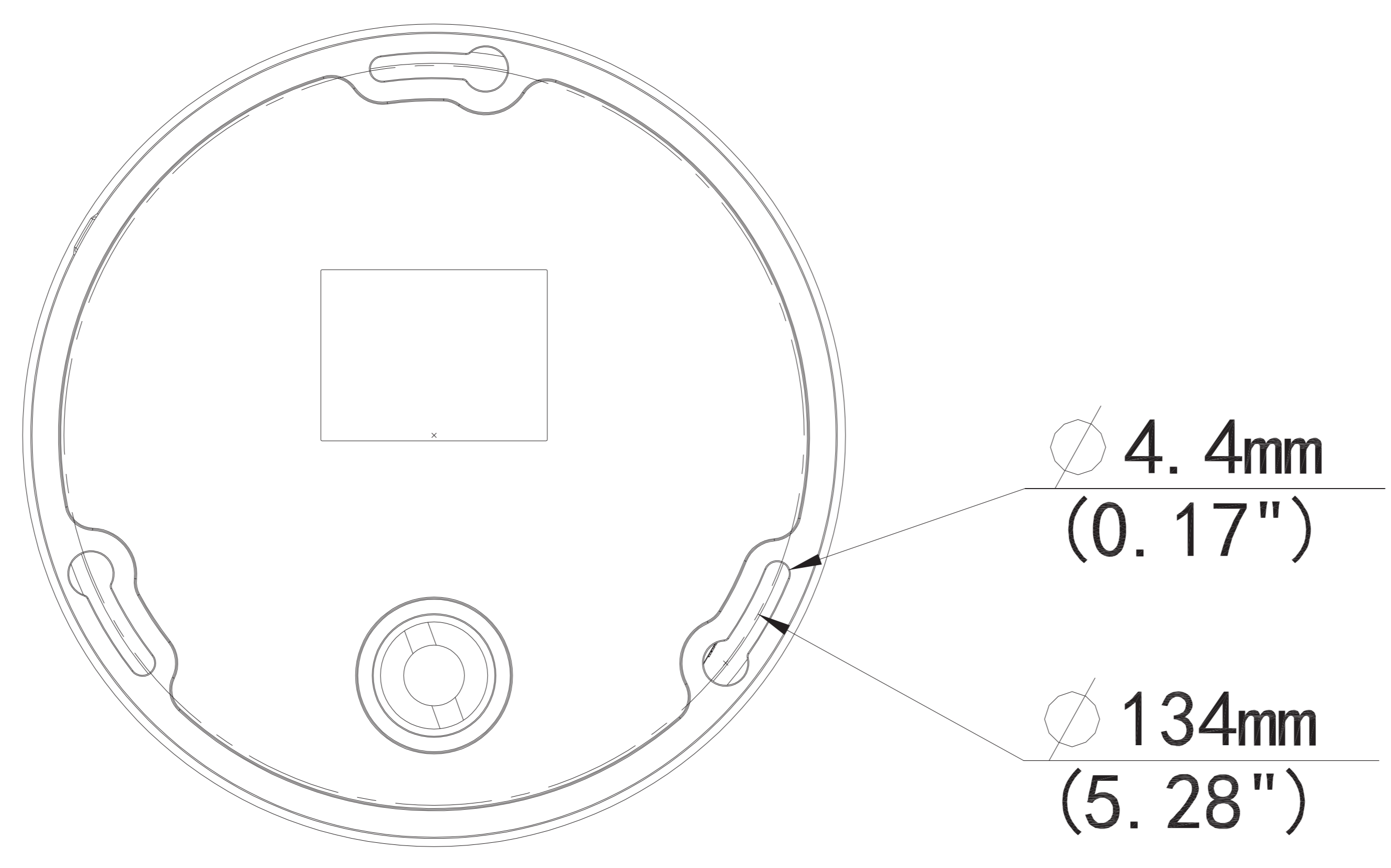
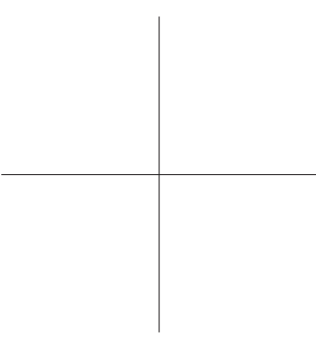
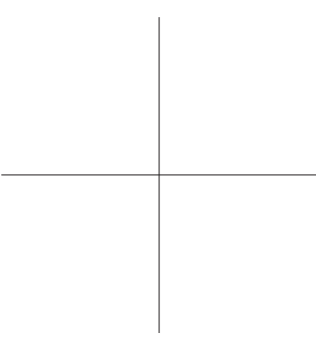


REV	ECO NO.	DESCRIPTION



DRAW:		DATE:	UNIT'S:	DWG NO.:	
CHKD:		DATE:	FINISH:	PART NO.:	
STAD:		DATE:	MASS(Kg):	REV	
APPD:		DATE:	SCALE: 1:2		
PRODUCT:			SHEET: OF	MAT'L:	



RELEASE LEVEL: []
 FILE NAME: