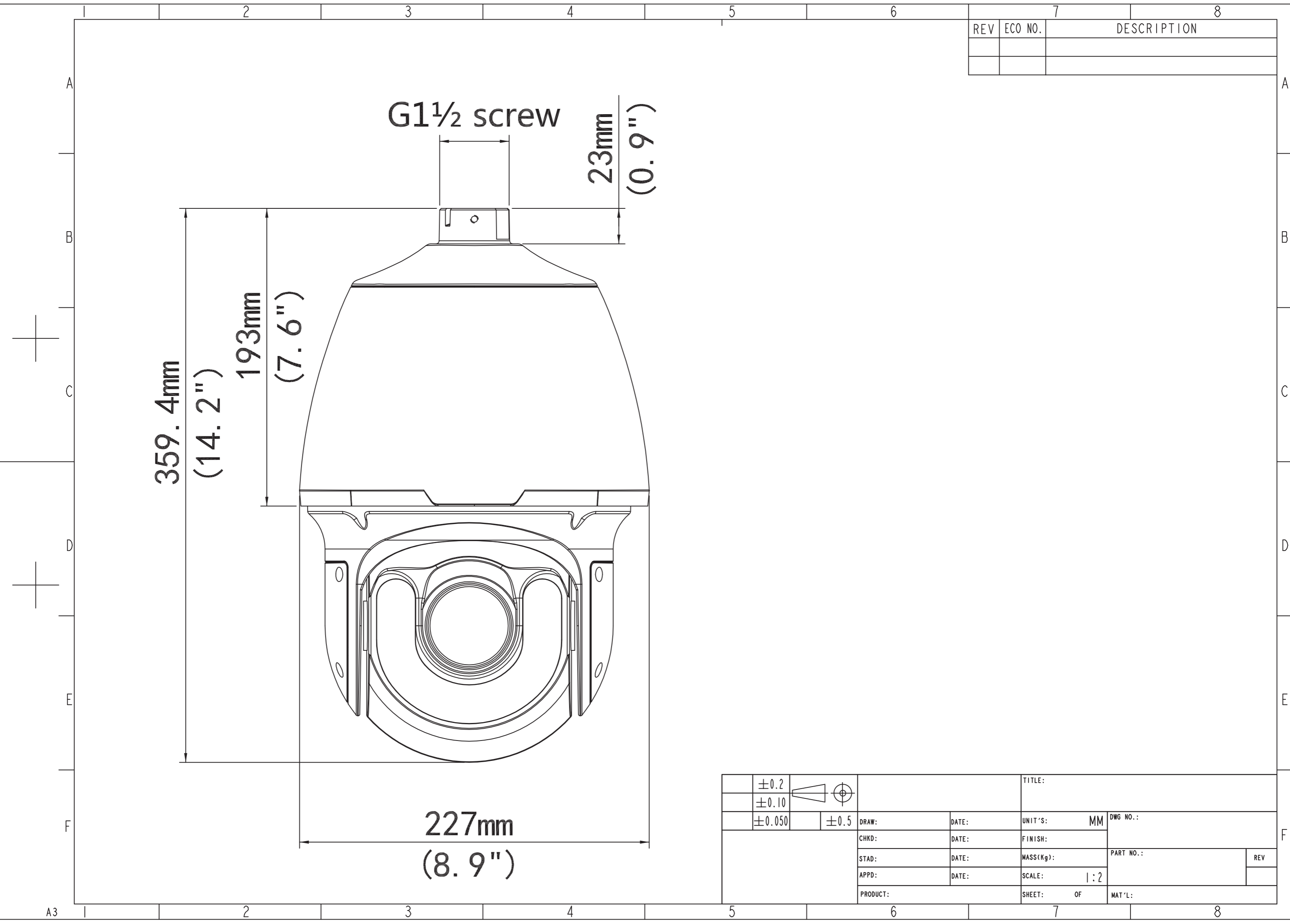


REV	ECO NO.	DESCRIPTION



±0.2		TITLE:	
±0.10		DRAW: DATE: UNIT'S: MM DWG NO.:	
±0.050	±0.5	CHKD: DATE: FINISH:	PART NO.:
PRODUCT:		STAD: DATE: MASS(Kg):	REV
SHEET: OF		APPD: DATE: SCALE: 1:2	MAT'L: