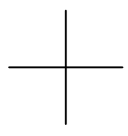
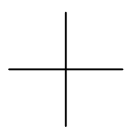
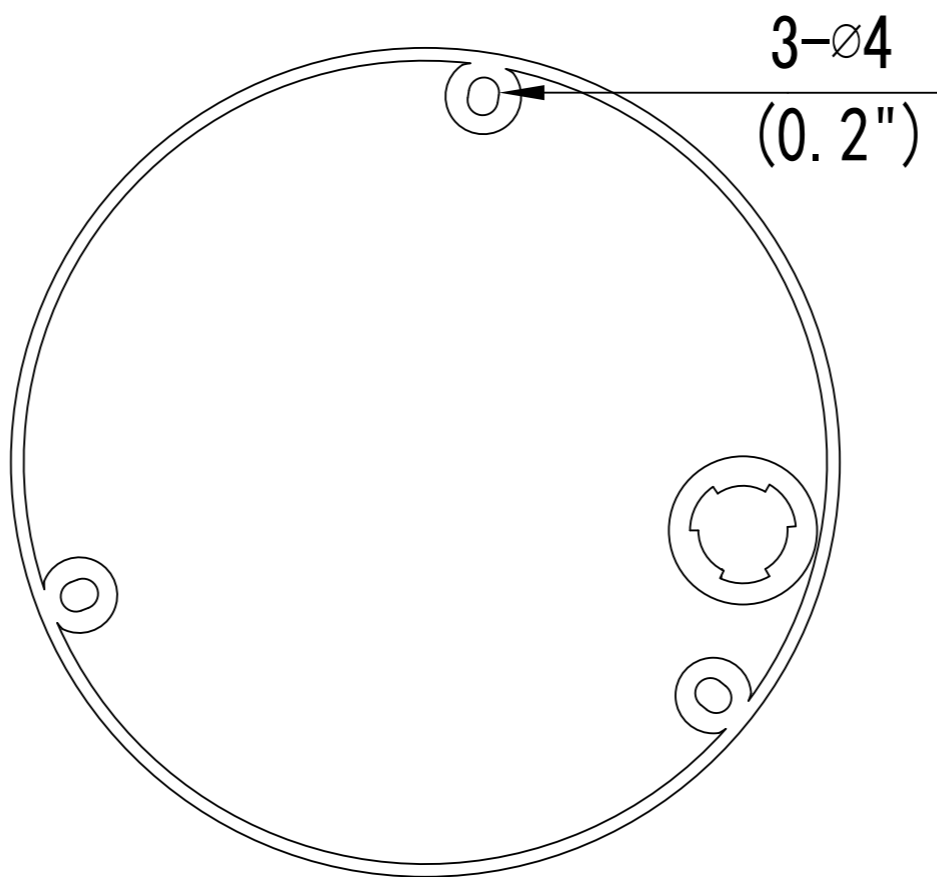
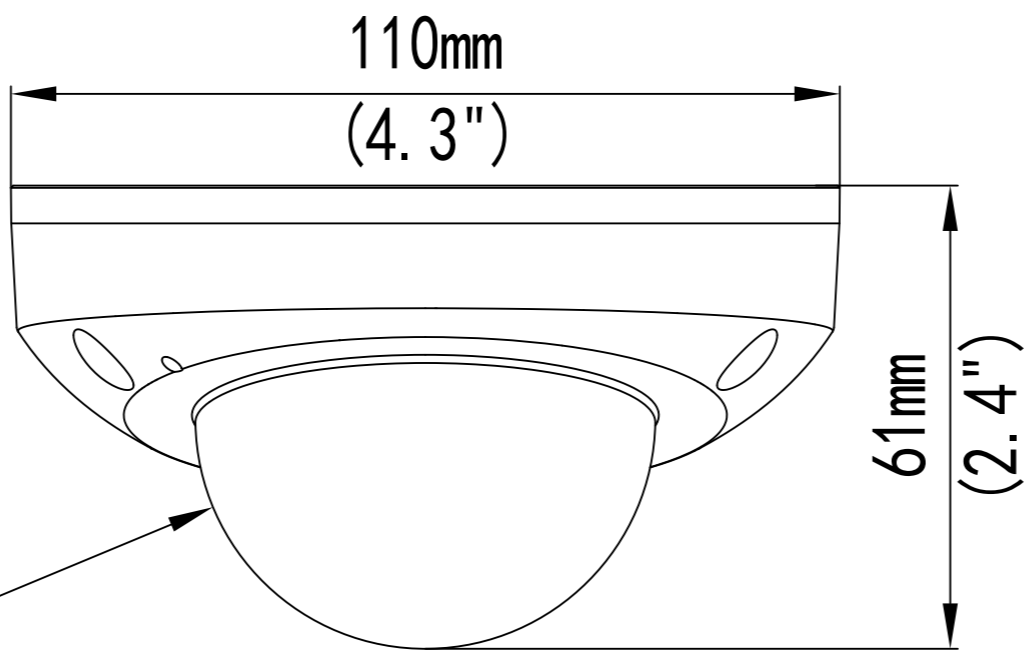


REV	ECO NO.	DESCRIPTION



RELEASE LEVEL:
FILE NAME:

DRAW: _____		DATE: _____		UNIT'S: MM		TITLE: _____	
CHKD: _____		DATE: _____		FINISH: _____		DWG NO.: _____	
STAD: _____		DATE: _____		MASS(Kg): _____		PART NO.: _____	
APPD: _____		DATE: _____		SCALE: 1:1		REV: _____	
PRODUCT: _____				SHEET: OF		MAT'L: _____	