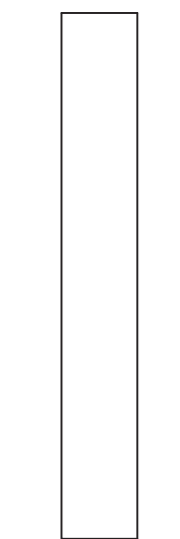
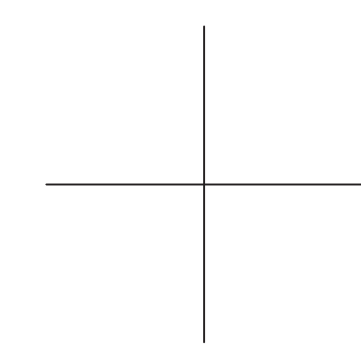
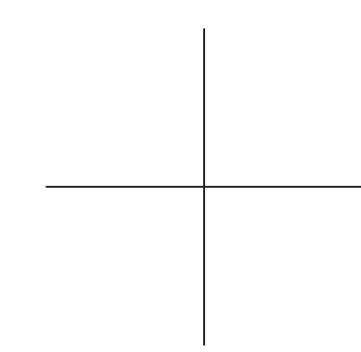
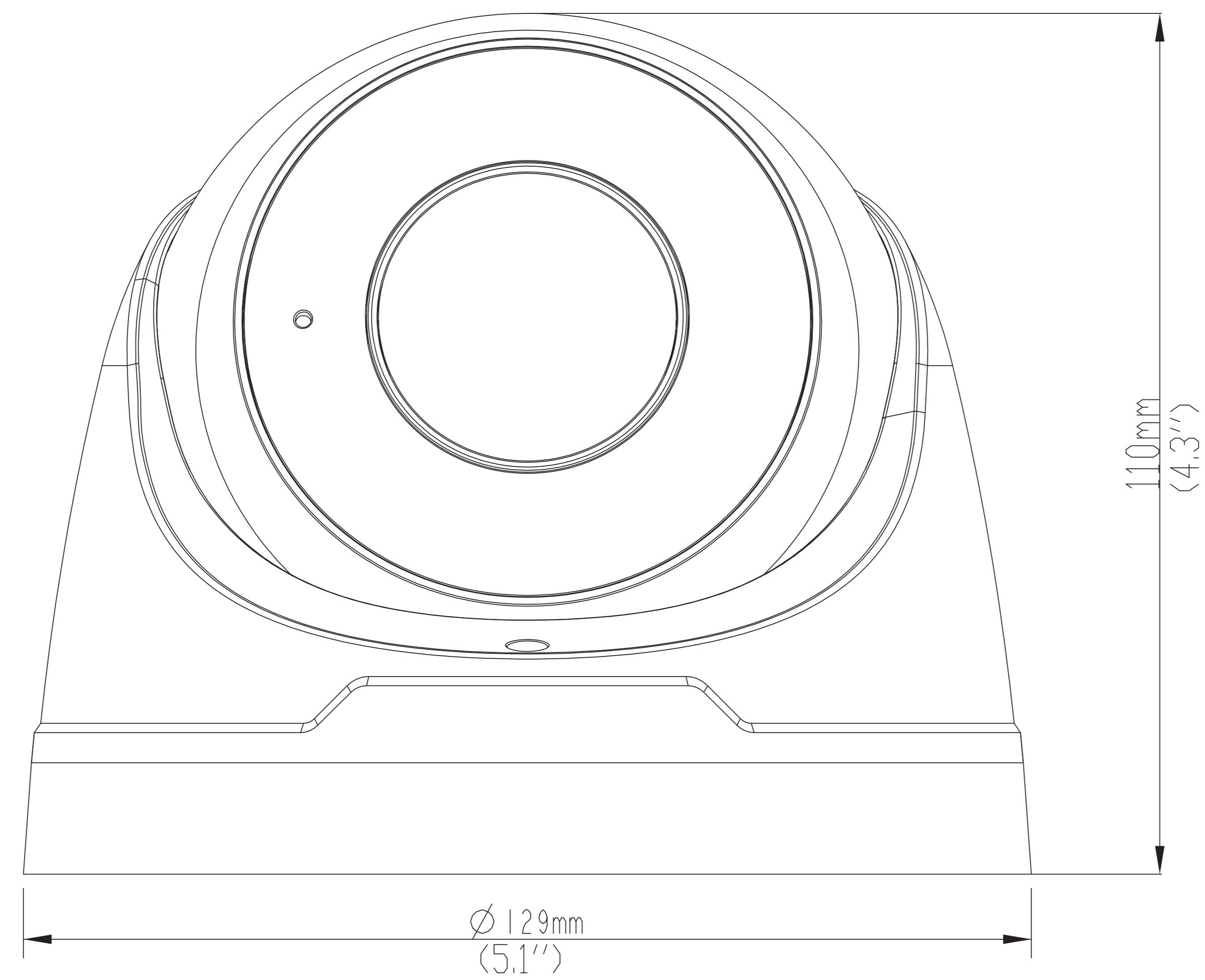
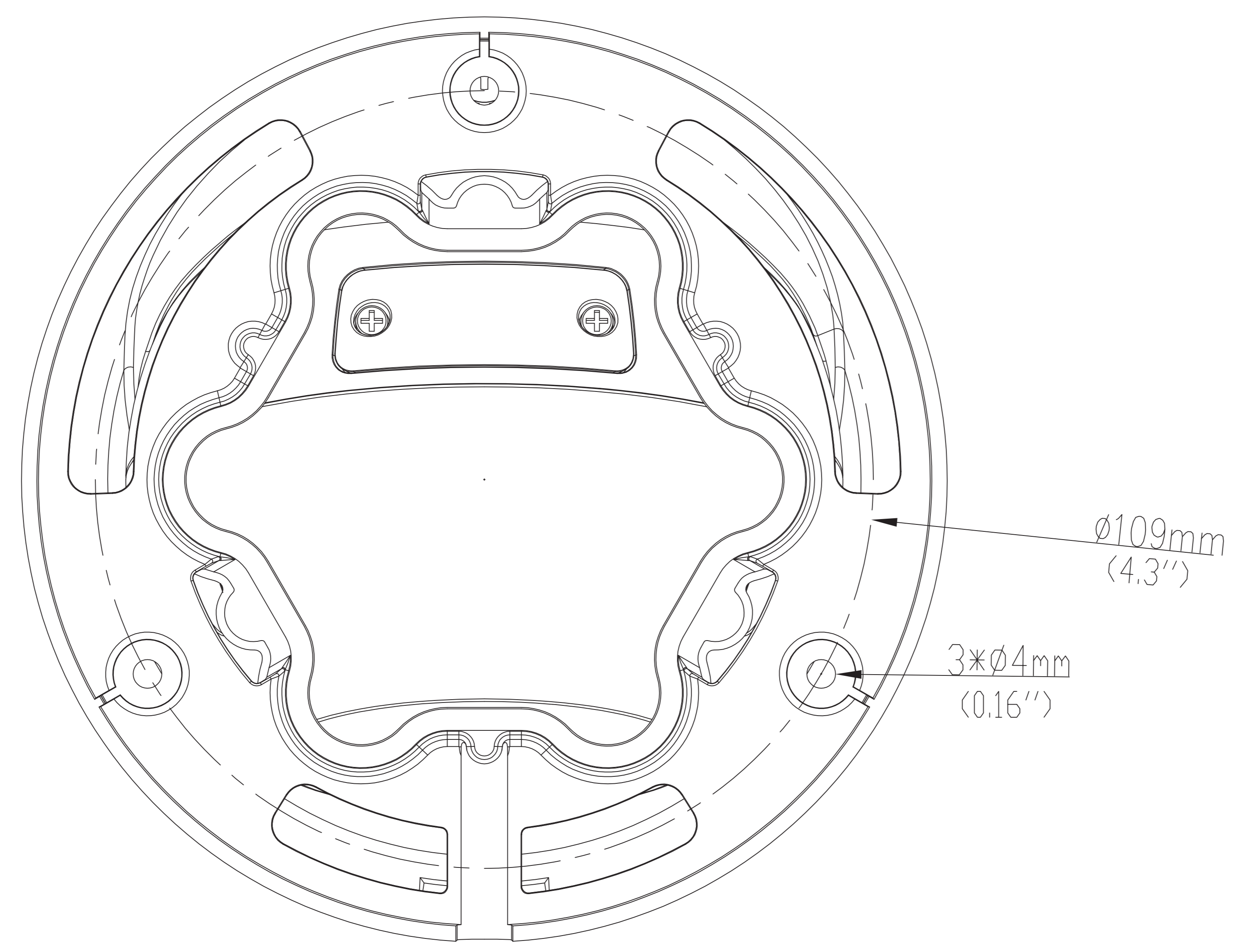


REV	ECO NO.	DESCRIPTION



RELEASE LEVEL:  
FILE NAME:

DRAW:		DATE:	UNIT'S: MM	DWG NO.:
CHKD:		DATE:	FINISH:	PART NO.:
STAD:		DATE:	MASS(Kg):	
APPD:		DATE:	SCALE: 83:100	REV
PRODUCT:			SHEET:   OF	MAT'L: