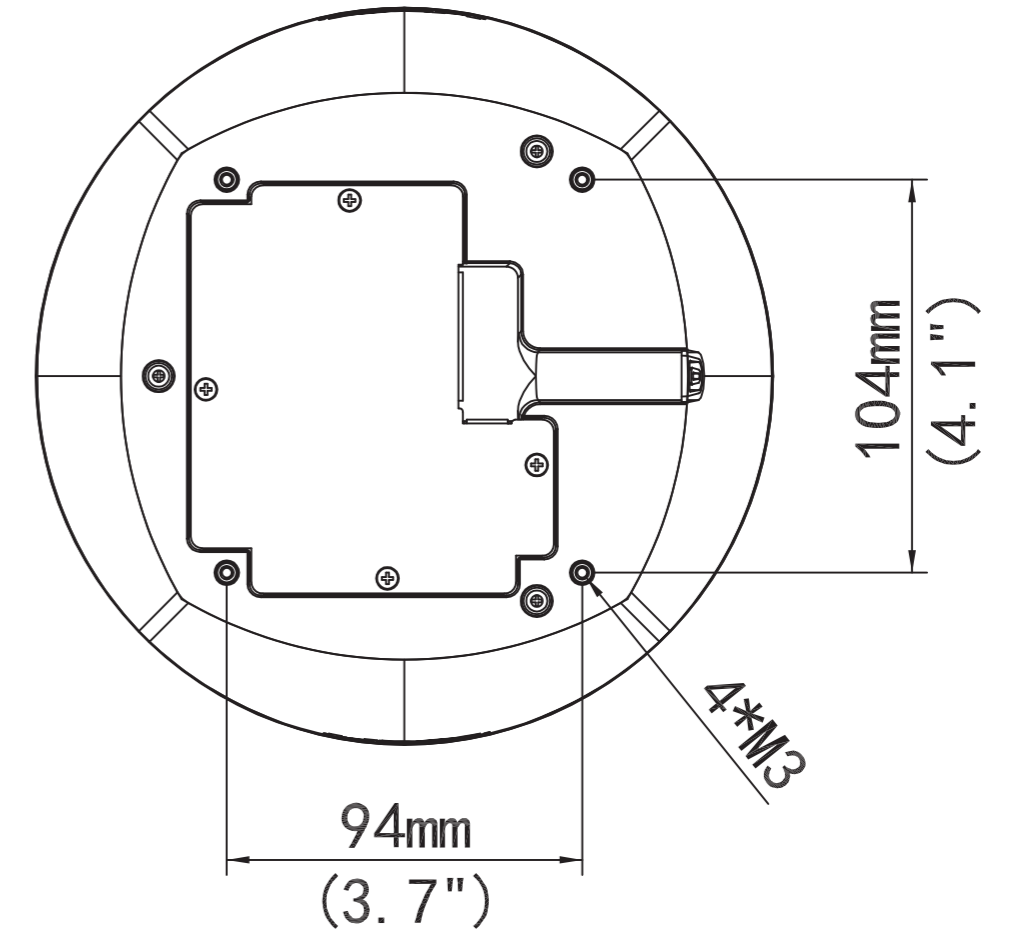
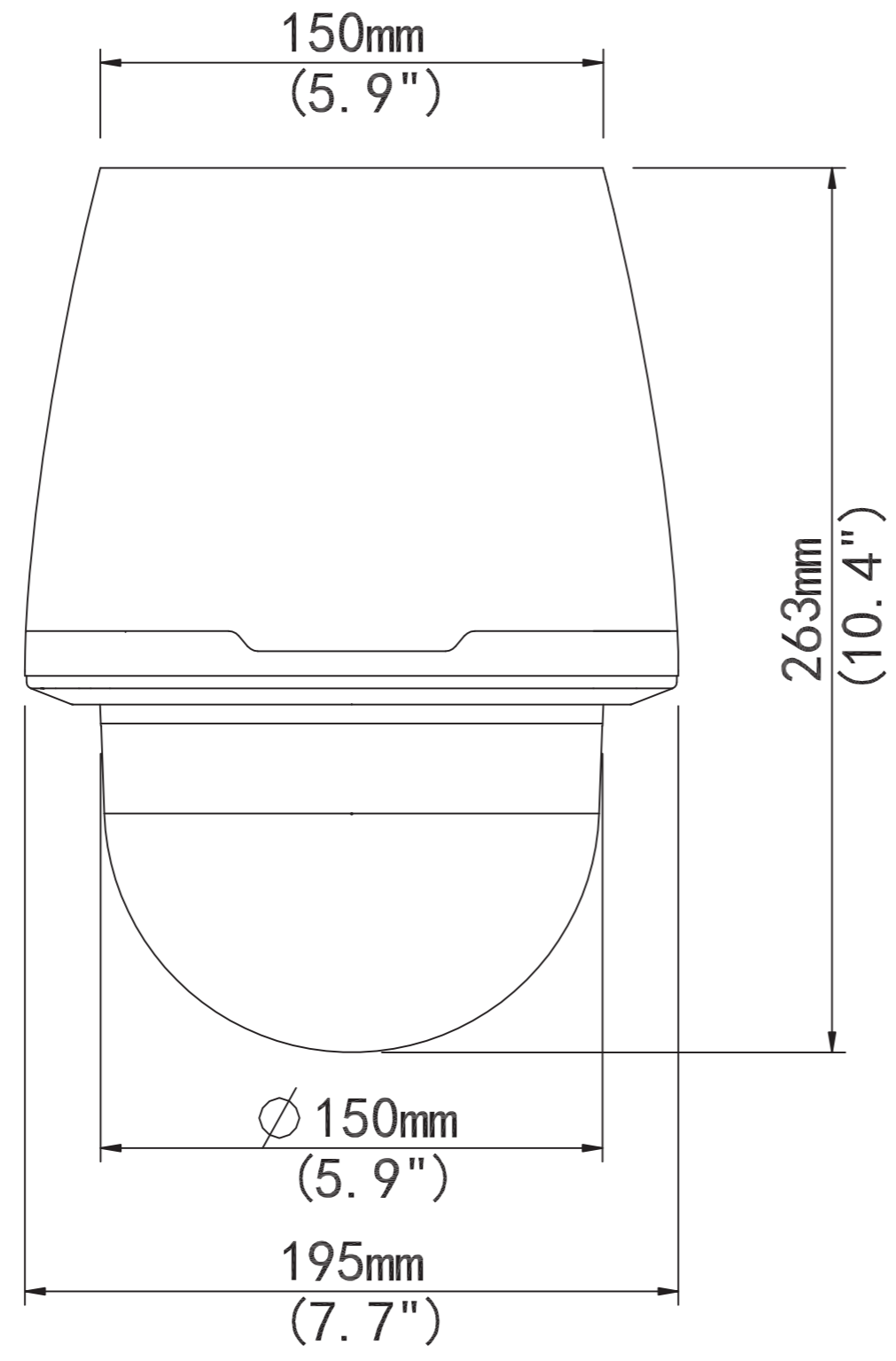


REV	ECO NO.	DESCRIPTION



RELEASE LEVEL:
FILE NAME:

±0.2		TITLE:			
±0.10		DRAW:	DATE:	UNIT'S:	DWG NO.:
±0.050	±0.5	CHKD:	DATE:	FINISH:	PART NO.:
		STAD:	DATE:	MASS(Kg):	
		APPD:	DATE:	SCALE:	A0
PRODUCT:				SHEET: OF	MAT'L: See Notes